



Product Technical Data Sheet

**Model 2806H / 2806H-I**

Description

The 2806H is a bi-amp high output speaker with controlled directivity into the mid-bass frequencies.

The 2806H high frequency section features a high performance PRD1000 planar ribbon transducer designed and manufactured by SLS Loudspeakers. The unique design and properties of the planar ribbon driver allows for a very clear delivery and transient accuracy even at the limits of its performance. The PRD1000 is mounted on a 80 degree waveguide to match the dispersion of the midrange at crossover.

The midrange section uses dual 8" drivers mounted on a wave guide. The drivers feature a large vented magnet structure with a flux demodulation ring magnet system which divides by 3 the harmonic distortion in the lower frequency domain and reduces the inductance modulation by 50%, leading to a dynamic and stable sound quality.

Key Features:

- PRD1000 ribbon high frequency driver delivers unsurpassed sound quality
- Horn Loaded midrange with high quality dual 8" drivers for increased clarity and punch.
- Open and clear sound at high SPL due to advanced transducer technology in all bandwidth sections
- 80 x 40 degree dispersion pattern
- Integrated fly-points with handles or just the flypoints in the "I" versions



Product Specifications		
Operating Range <sup>1</sup>	70Hz - 20,000Hz	
Sensitivity (1W/1M) - Low Freq. <sup>2</sup>	102dB	
	High Freq.	107dB
Horizontal Coverage Angle -6dB <sup>3</sup>	80 Degrees	
Vertical Coverage Angle -6dB <sup>3</sup>	30 Degrees	
Power Handling - Low Freq. <sup>4</sup>	500W (64 Volts) AES/2	
	High Freq.	385W (50 Volts) IEC Short Term
		104W (26 Volts) IEC Long Term
	60W (20 Volts) AES/2	
Recommended Amp Power for Max Output	Low Freq.	1000 Watts @ 8 ohms
	High Freq.	400 Watts @ 8 ohms
Max SPL (calculated) 1 Meter - Low Freq.	129dB Cont. / 135dB Peak	
	High Freq. <sup>5</sup>	127dB Cont. / 133dB Peak
Nominal Impedance - Low Freq.	8 Ohms	
	High Freq.	6.5 Ohms
Crossover Frequency	DSP Settings Provided	
Transducers - Low Freq.	8" Woofer x 2	
	High Freq.	PRD1000 Ribbon
Input	NL4 x2	
Dimensions	35.5" (90cm) H	
	19.53" (49.5cm) W	
	14.38" (36.5cm) D	
Enclosure	13 ply Baltic Birch	
Weight	97lbs (44 kg) Shipping 112lbs (50.8kg)	
Rigging	12 points (3/8" threaded inserts)	
Finish	Black Latex	
	White Latex	
	Paintable Natural Finish	

Applications

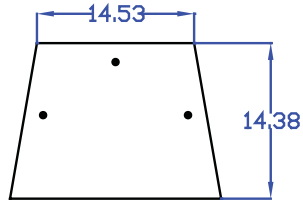
Developed for high performance PA applications where the highest quality and intelligibility of sound is required

- Portable PA
- Stage Sidefills
- High SPL spot fill
- Engineered Clusters

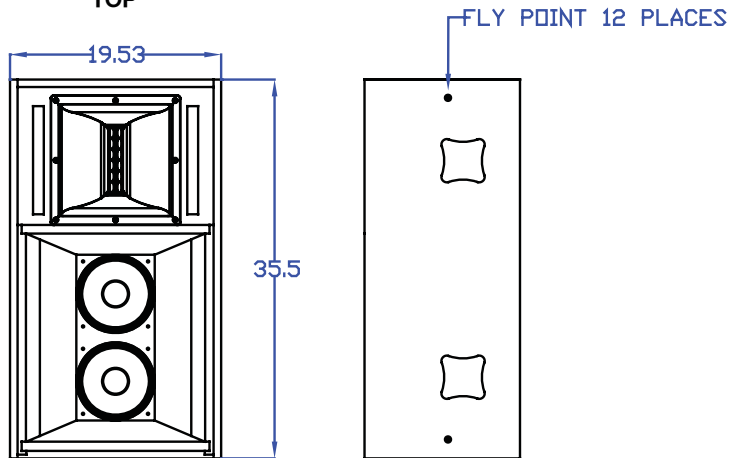
1. LF at -10dB, HF -6dB at 30kHz on-axis however response above 20kHz is limited by air absorption and DSP sampling rates in typical PA applications.  
 2. Full bandwidth pink noise is applied and amplified to a level and measured at the loudspeaker terminals - corresponding to 1 Watt as referenced to the loudspeakers nominal impedance. SPL is measured in an anechoic environment in the loudspeakers far field. Data is extrapolated to 1 Meters distance from the loudspeaker.  
 3. Averaged from 1000Hz to 10kHz  
 4. AES established with ambient temperature at 22C in accordance with AES/2-1984 standard. IEC stated in RMS voltage according to IEC 268-5  
 5. Ribbon SPL calculated from IEC long term and short term



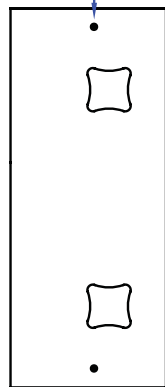
## 2806H Drawings



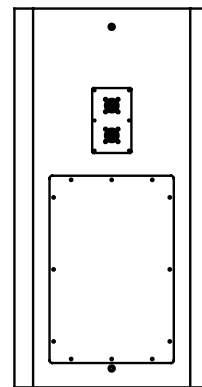
TOP



FRONT



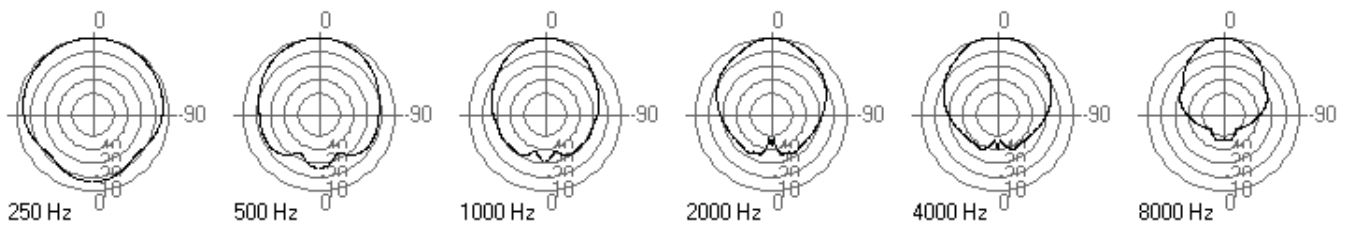
SIDE



BACK

## Polars

Horizontal Axis



Vertical Axis

