

REV.1

QUAD
INDUSTRIAL

CONCOURSE R SERIES

INSTRUCTION BOOKLET



MODELS R6 & R8

FOR THE CLOSEST APPROACH TO THE ORIGINAL SOUND

TABLE OF CONTENTS

Introduction:

Safety Instructions.....	02
Introduction.....	02
Warnings & Disclaimers.....	02
Rigging & Suspension.....	02
Warranty & Service.....	02

Product Descriptions:

Dimension Drawings.....	03
Product Features.....	04

Installation:

Installation Instructions.....	05
--------------------------------	----

Wiring & Connections:

Input Connectors.....	06
Recommened Wiring Scheme.....	06

CE Compliance:

Statement.....	06
Specifications.....	08

Contact Information:

QUAD Industrial Contact Information.....	BACK COVER
--	------------

SAFETY INSTRUCTIONS

Safety First!

1. Please read this manual fully before installing and operating this product.
2. Retain a copy of this manual for future reference.
3. Comply with all warning labels and instructions.
4. Do not attempt the installation of this equipment unless you are qualified to do so.
5. Protect your hearing from high sound pressure levels.

Rigging and Suspension

The rigging, suspension or mounting of these products can expose the installer and members of the public to serious health risks and even death.

UNDER NO CIRCUMSTANCES ATTEMPT TO RIG, SUSPEND OR OTHERWISE MOUNT THIS EQUIPMENT UNLESS YOU ARE FULLY QUALIFIED AND CERTIFIED TO DO SO BY RELEVANT LOCAL, STATE AND NATIONAL AUTHORITIES. ALL RELEVANT SAFETY REGULATIONS MUST BE FOLLOWED. IF YOU ARE NOT PROPERLY QUALIFIED OR DO NOT KNOW OF PERTINENT REGULATIONS, CONSULT QUALIFIED PERSONNEL FOR ADVICE AND ASSISTANCE.

Limited Liability

QUAD Industrial assumes no liability whatsoever for any damage or loss, either direct or consequential arising from the installation and use of these products. Liability is limited to replacement of product or refund, at the QUAD Industrial's discretion. Your rights to compensation may vary by territory; consult with your local QUAD Industrial office or distributor.

Warranty & Service

These products are designed to be used as specified, and are warranted to be free from defects in materials or workmanship. Warranty terms and conditions vary by territory. Please contact your local QUAD Industrial sales office or distributor for complete details. Under no circumstances should you attempt to repair these products. Doing so may limit or void warranty coverage.

PRODUCT DESCRIPTION

The Concourse R6 and R8 are two-way high performance in-wall mounted speaker systems designed for distributed music, paging and speech applications. The R6 and R8 are packaged in pairs and combine premium drive units with a discrete ABS front baffle and attractive metal grille. A unique mounting system makes the R6 and R8 easy to install.

Concourse R6

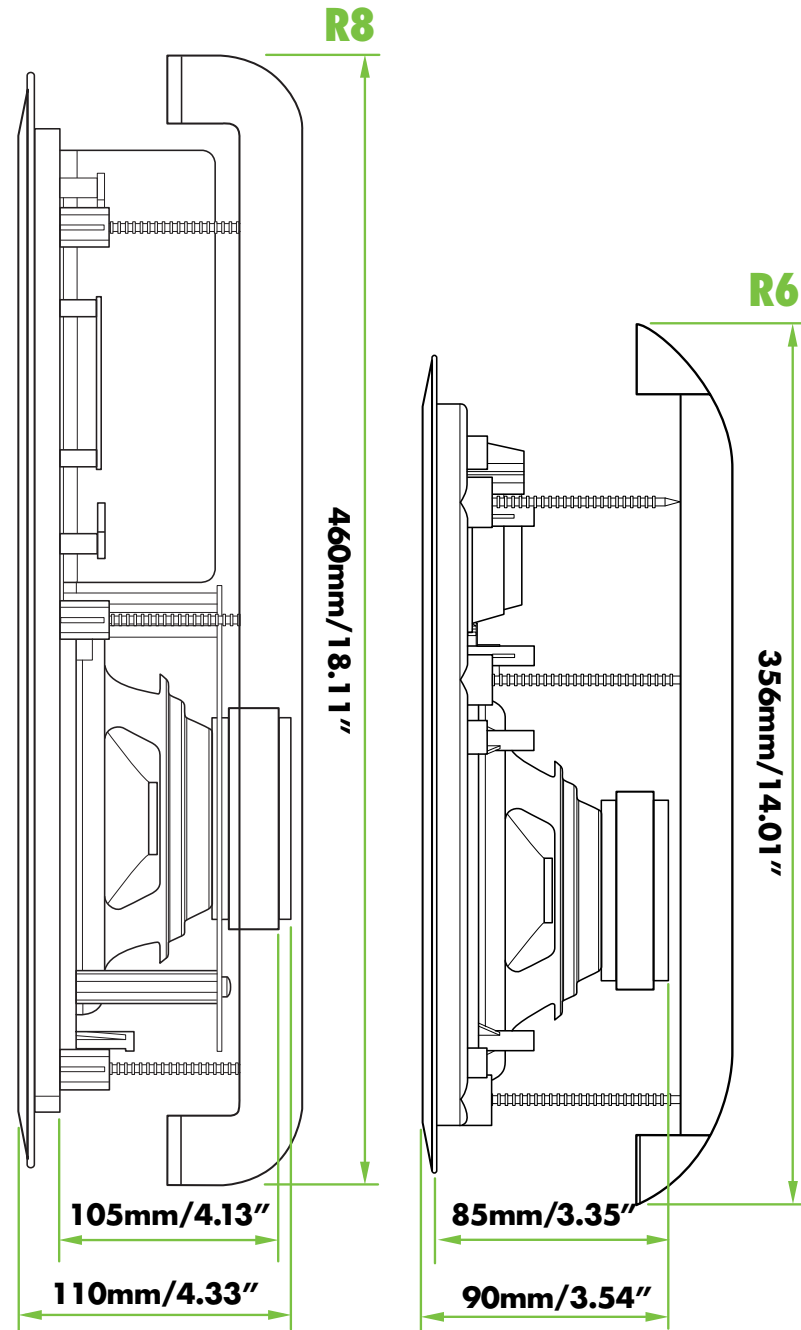
The Concourse R6 is a premium two-way in-wall mounted speaker system consisting of a 6.5" cone low frequency driver and a 1" soft dome tweeter. Speakers are packed in pairs and come complete with mounting bars and screws, plastic paint covers and cardboard cutout templates.

- Concourse R6-16 –16Ω operation, 50W Continuous power handling

Concourse R8

The Concourse R8 is a premium three-way in-wall mounted speaker system consisting of an 8" cone low frequency driver, a 2" soft dome midrange driver and a 1" soft dome tweeter. Speakers are packed in pairs and come complete with mounting bars and screws, plastic paint covers and cardboard cutout templates.

- Concourse R8-16 –16Ω operation, 100W Continuous power handling



PRODUCT FEATURES

The Concourse R6 and R8 are designed to be installed in a wall cavity and are supplied with a unique latching bar for wall mounting. Wiring is terminated to a pair of color-coded spring terminals on the rear of the speaker bezel.

Both models include the following components inside each carton:

- Speaker assembly (2)
- Cover grille (2)
- Latching bars (4)
- Latching bar screws (12)
- Plastic paint cover (2)
- Cardboard cutout template (2)

Please ensure that you are familiar with all of the parts and how they are assembled before starting the installation.

INSTALLATION

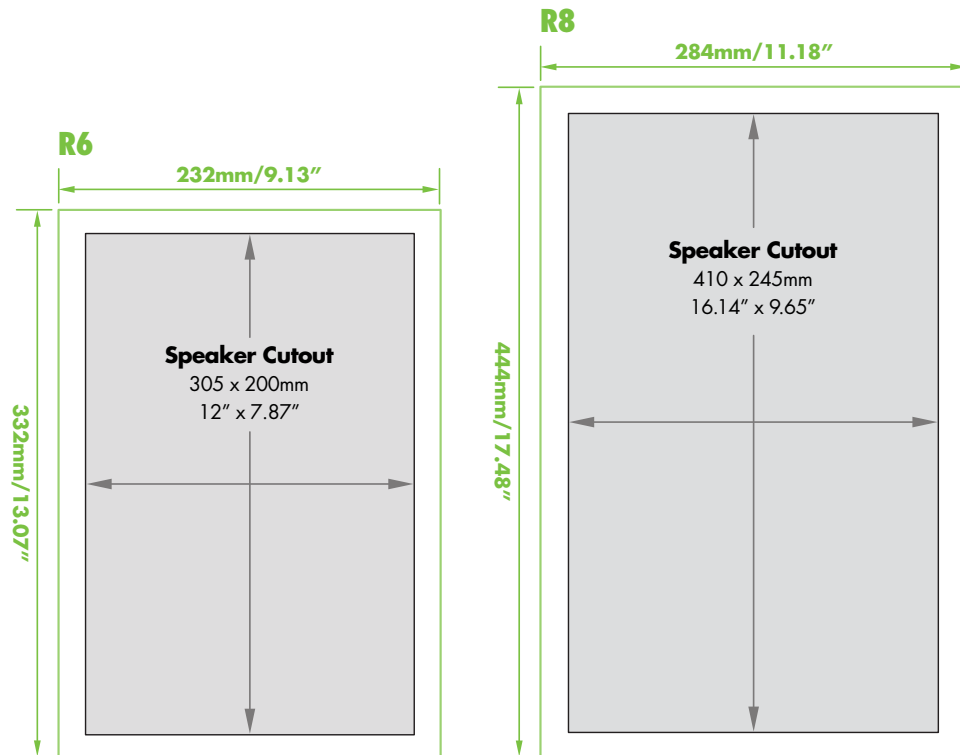
NOTE: Installations in existing buildings require that you first ensure that the location is suitable and that there are no obstacles behind the wallboard material before cutting an opening. Use extreme caution when cutting into walls to avoid severing electrical wiring, heating ducts or water pipes.

Step 1

Carefully unpack the contents of the box and ensure that all parts are accounted for before beginning the installation.

Step 2

Locate the cardboard mounting template and use it to mark the hole size needed for the installation. Cut the mounting hole using a suitable saw.



Step 3

Install the latching bars to the rear of the speaker assembly by inserting only the top two screws on each bar. Do not tighten the screws yet, leaving enough slack to permit installation into the wall cavity.

Step 4

Pull the speaker wire from inside wall cavity and terminate to speaker.

Step 5

Lift speaker assembly to opening and, tilting the top forward, insert the bottom latching bars into the cavity far enough to allow the top of the latching bars to sink into the cavity.

Step 6

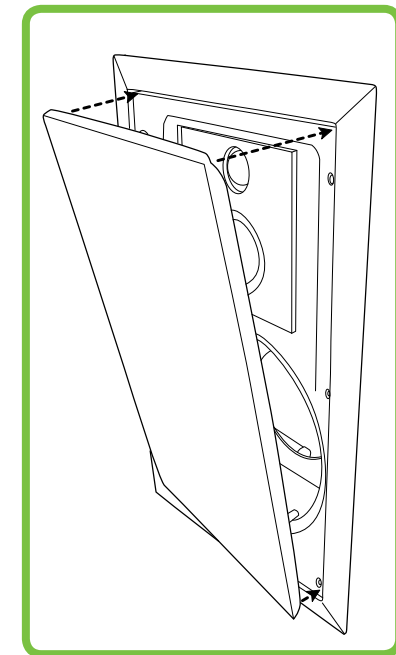
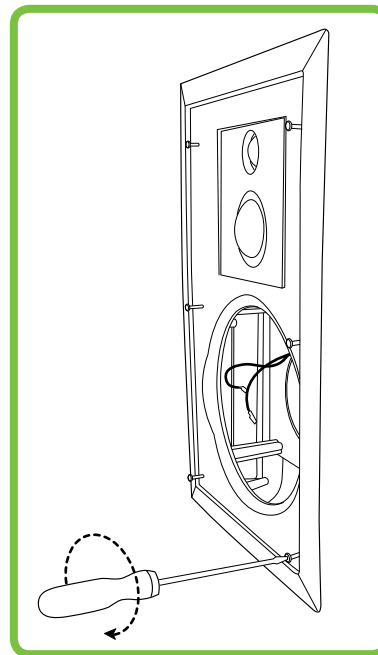
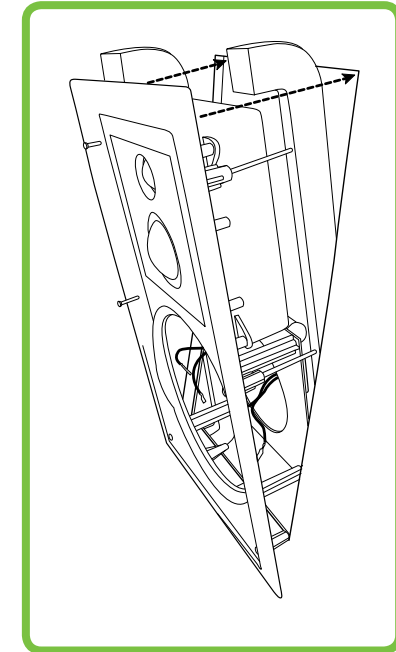
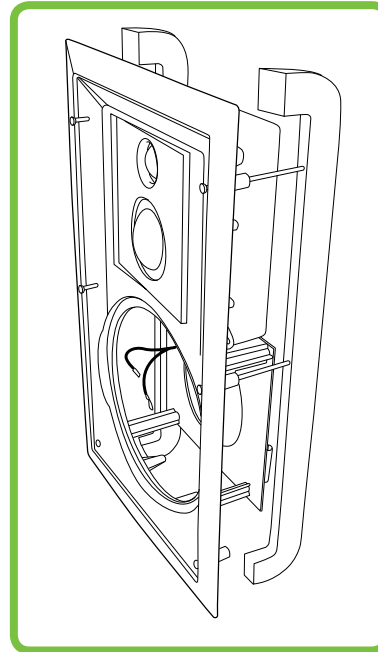
Lift the speaker into position and tighten all four mounting screws, ensuring that the speaker remains centered in the opening.

Step 7

Insert the remaining two screws into the front of the bezel and tighten.

Step 8

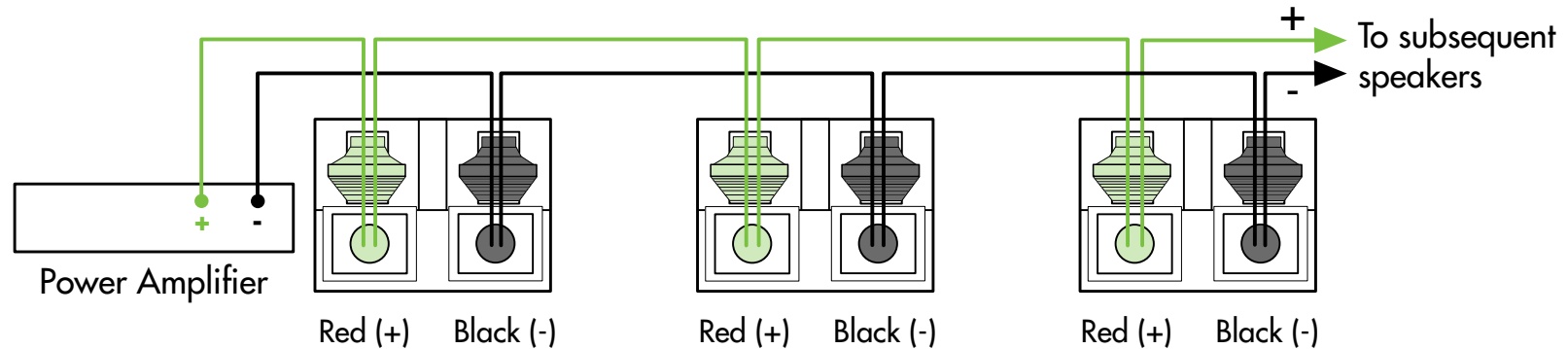
If the speaker bezel is to be painted place the supplied clear plastic paint cover over the front. Otherwise, attach the grille to the bezel by pushing firmly around the perimeter of the grille.



WIRING & CONNECTIONS

Ensure that all wiring is installed in compliance with local laws, codes and convention. Obtain all necessary permits and approvals and use only cable that is approved for the application and is sized to safely accommodate the impedance load.

Concourse R series speakers use spring terminals. The Positive, + terminal is coded RED, the Negative, Minus, terminal is coded BLACK. Remove the plastic insulation from the top 0.5" (12mm) of each conductor. After twisting the copper strands tightly, depress a terminal and insert the bare wire end. Release the terminal and the wire will be secured. Repeat for the other terminal. Use any color coding on the cable as a guide to identification. Ensure there are no loose strands of wire that may short across the terminals.



COMPLIANCE

This product is in compliance with CE directives and bears the CE mark. For detailed information on specific directives please contact your local QUAD Industrial sales office or distributor.

SPECIFICATIONS

Power Handling:	R6	R8
Continuous	50W	100W
Program	100W	200W
Peak	200W	400W
Frequency Response: (-10dB)	40Hz–20kHz	35Hz–20kHz
Frequency Response: (+/-3dB)	70Hz–16kHz	45Hz–20kHz
Sensitivity (@2.83V):	89dB	90dB
Max SPL:	112dB	115dB
Coverage (H x V):	140° x 110°	130° x 100°
Directivity (DI) (H x V):	6.14	6.82
Impedance:	4 & 16Ω	4 & 16Ω
Regulatory Approvals: (9UL, CE)	CE	CE
Transducers:		
LF Driver Size	6.5" Cone	8" Cone
MID Driver Size	∅	2" Soft Dome MID Range
HF Driver Size	1" Soft Dome Tweeter	1" Soft Dome Tweeter
Crossover Frequency:	2.3kHz	1.2kHz & 5.2kHz
Enclosure Material:	Plastic (ABS)	Plastic (ABS)
Connector Type:	Screw Terminal	Spring-loaded Terminal
Dimensions: (H x W x D)	332 x 232 x 92mm 13.07" x 9.14" x 3.62"	444 x 284 x 110mm 17.48" x 11.18" x 4.33"
Net Weight:	1.8kg 3.96lbs.	4.8kg 10.56lbs.

* Features, details & specifications are subject to change without notice

USA CONTACT:

ph +877.440.0888

ph +425.861.3909

fx +425.861.3906

UK CONTACT:

ph +0845 4580011

ph +44 (0) 1480 447700

fx +44 (0) 1480 431767

OUTSIDE USA & UK:

ph +86 (0755) 8209 6639

fx +86 (0755) 8209 0203

WEB:

www.quadindustrial.com

FOR THE CLOSEST APPROACH TO THE ORIGINAL SOUND