

REV.1

QUAD
INDUSTRIAL

FORUM SERIES

INSTRUCTION BOOKLET



MODELS FORUM 8, 10, 12, 15, 8M, 15M & FORUM 12SUB & 15SUB

FOR THE CLOSEST APPROACH TO THE ORIGINAL SOUND

TABLE OF CONTENTS

Introduction:
Safety Instructions..... 02
Introduction..... 02
Warnings & Disclaimers..... 02
Rigging & Suspension..... 02
Warranty & Service..... 02

Product Features:
Product Descriptions..... 03
Dimension Drawings..... 05

Installation:
Wall or Pole Mounting..... 07
3-Point Hanging..... 07
Speaker Stand Adapter..... 07

Wiring & Connections:
Connections & Operations..... 08

CE Compliance:
Statement..... 08
Specifications..... 09

Contact Information:
QUAD Industrial Contact Information..... BACK COVER

SAFETY INSTRUCTIONS

Safety First!

1. Please read this manual fully before installing and operating this product.
2. Retain a copy of this manual for future reference.
3. Comply with all warning labels and instructions.
4. Do not attempt the installation of this equipment unless you are qualified to do so.
5. Protect your hearing from high sound pressure levels.

Rigging and Suspension

The rigging, suspension or mounting of these products can expose the installer and members of the public to serious health risks and even death.

UNDER NO CIRCUMSTANCES ATTEMPT TO RIG, SUSPEND OR OTHERWISE MOUNT THIS EQUIPMENT UNLESS YOU ARE FULLY QUALIFIED AND CERTIFIED TO DO SO BY RELEVANT LOCAL, STATE AND NATIONAL AUTHORITIES. ALL RELEVANT SAFETY REGULATIONS MUST BE FOLLOWED. IF YOU ARE NOT PROPERLY QUALIFIED OR DO NOT KNOW OF PERTINENT REGULATIONS, CONSULT QUALIFIED PERSONNEL FOR ADVICE AND ASSISTANCE.

Limited Liability

QUAD Industrial assumes no liability whatsoever for any damage or loss, either direct or consequential arising from the installation and use of these products. Liability is limited to replacement of product or refund, at QUAD Industrial's discretion. Your rights to compensation may vary by territory; consult with your local QUAD Industrial office or distributor.

Warranty & Service

These products are designed to be used as specified, and are warranted to be free from defects in materials or workmanship. Warranty terms and conditions vary by territory. Please contact your local QUAD Industrial sales office or distributor for complete details. Under no circumstances should you attempt to repair these products. Doing so may limit or void warranty coverage.

PRODUCT DESCRIPTION

The Forum range of two-way loudspeakers and complementary subwoofers are high-performance point-source systems designed for the most demanding voice and music reinforcement applications. Each full range model is built around a genuine QUAD Industrial DuAlign™ precision transducer, offering linear response in both amplitude and phase domains. Complemented by trapezoidal enclosures and supplied mounting hardware, all Forum models are ready for installation in a variety of applications.

FORUM 8

The Forum 8 is a compact two-way speaker system consisting of an 8" DuAlign™ woofer with integral 2" compression driver. The speaker comes with a yoke mounting bracket and a three-point hang accessory. There are two versions available:

- **Forum 8** – Black, 8Ω, 100 Watts
- **Forum 8W** – White, 8Ω, 100 Watts

FORUM 8M

The Forum 8M is a compact two-way floor monitor system consisting of an 8" DuAlign™ woofer with integral 2" compression driver. Its low profile and clean functional design allow it to complement any interior space. There are two versions available:

- **Forum 8M** – Black, 8Ω, 100 Watts
- **Forum 8MW** – White, 8Ω, 100 Watts

FORUM 10

The Forum 10 is a compact two-way speaker system consisting of a 10" DuAlign™ woofer with integral 2" compression driver. The speaker comes with a yoke mounting bracket and a three-point hang accessory. There are two versions available:

- **Forum 10** – Black, 8Ω, 150 Watts
- **Forum 10W** – White, 8Ω, 150 Watts

FORUM 12

The Forum 12 is a compact two-way speaker system consisting of a 12" DuAlign™ woofer with integral 2" compression driver. The speaker comes with a yoke mounting bracket and a three-point hang accessory. There are two versions available:

- **Forum 12** – Black, 8Ω, 200 Watts
- **Forum 12W** – White, 8Ω, 200 Watts

FORUM 15

The Forum 15 is a compact two-way speaker system consisting of a 15" DuAlign™ woofer with integral 2" compression driver. The speaker comes with a yoke mounting bracket and a three-point hang accessory. There are two versions available:

- **Forum 15** – Black, 8Ω, 300 Watts
- **Forum 15W** – White, 8Ω, 300 Watts

FORUM 15M

The Forum 15M is a compact two-way floor monitor system consisting of a 15" DuAlign™ woofer with integral 2" compression driver. Its low profile and clean functional design allow it to complement any interior space. There are two versions available:

- **Forum 15M** – Black, 8Ω, 300 Watts
- **Forum 15MW** – White, 8Ω, 300 Watts

FORUM 12SUB

The Forum 12SUB is a folded horn low-profile sub-bass speaker comprised of a single 12" long throw driver. Its compact dimensions make it ideal for concealed installation or where space is limited. The Forum 12SUB is available in two versions:

- **Forum 12SUB-4** – Black, 4Ω, 300 Watts
- **Forum 12SUB-4W** – White, 4Ω, 300 Watts

FORUM 15SUB

The Forum 15SUB is a folded horn low-profile sub-bass speaker comprised of a single 15" long throw driver. Its compact dimensions make it ideal for concealed installation or where space is limited. The Forum 15SUB is available in two versions:

- **Forum 15SUB-4** – Black, 4Ω, 450Watts
- **Forum 15SUB-4W** – White, 4Ω, 450Watts

PRODUCT FEATURES

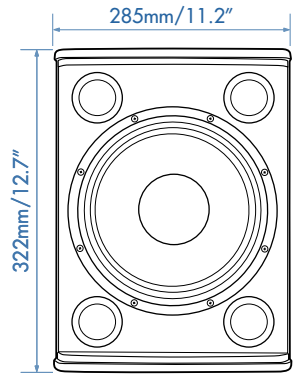
All Forum series models except for the Forum 8M and Forum 15M are fitted with a unique yoke mounting bracket that facilitates mounting and suspension of the loudspeaker. In addition, these models are supplied with hardware that permits rigging and suspension from three points, allowing the cabinet to be angled as needed. A pole adapter is provided for use with tripod speaker stands.

All models are fitted with NL4 socket connections. In addition, all models except for the Forum 8M and Forum 15M are fitted with heavy duty barrier strips for direct termination of amplifier wiring. Cabinets are constructed of high-density MDF and finished in durable paint with matching steel grilles.

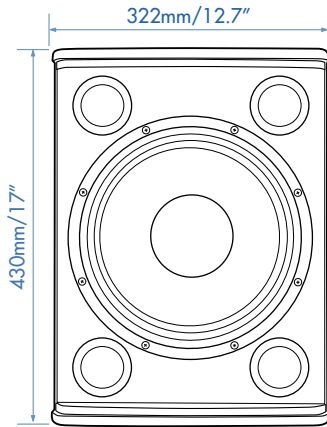
NOTE: Please ensure that you are familiar with all of the mounting hardware and possess the required experience and related certification before installing these products.

DIMENSIONS

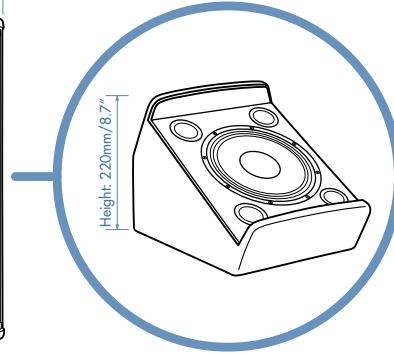
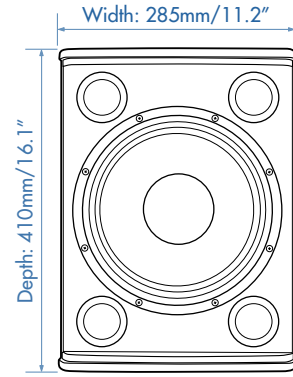
Forum 8



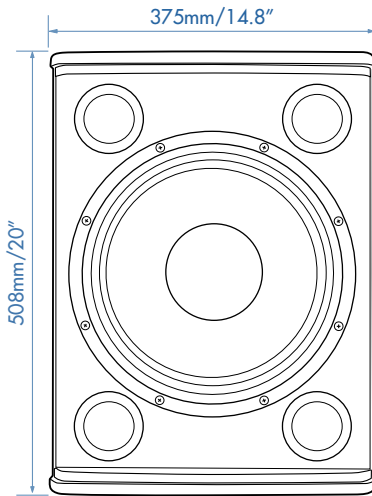
Forum 10



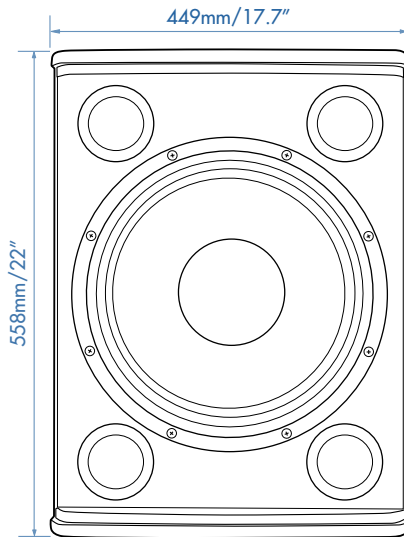
Forum 8M



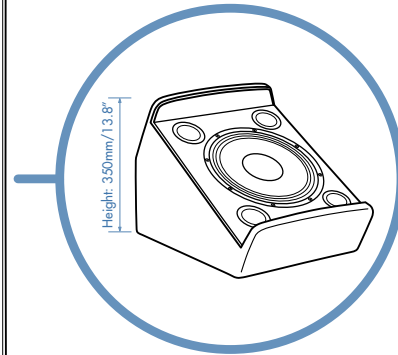
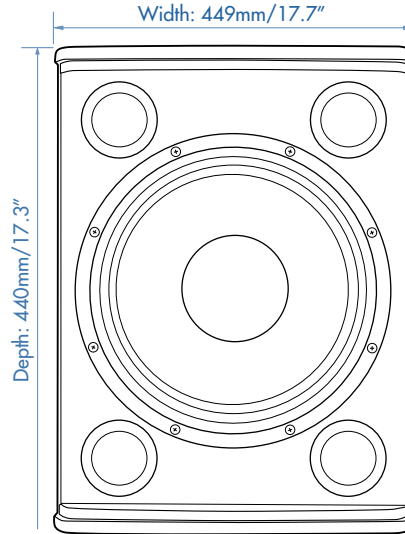
Forum 12



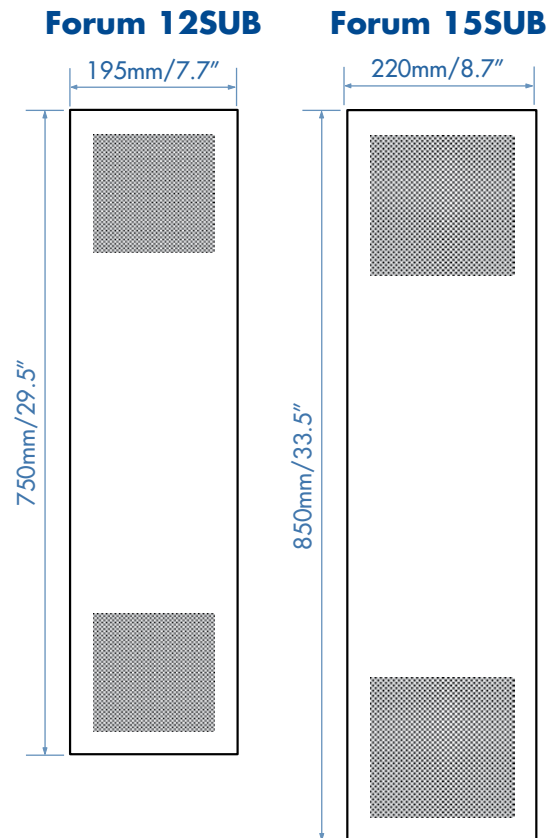
Forum 15



Forum 15M



DIMENSIONS



INSTALLATION

Carefully unpack the contents of the shipping carton and verify that all of the mounting hardware is accounted for. The supplied hardware will support three types of installation as detailed below:

Wall or Pole Mounting

This method allows mounting of the loudspeaker to any suitable vertical surface such as a wall or pole.

Step 1

Remove the mounting yoke from the loudspeaker by removing the bolts on the top and bottom of the enclosure.

Step 2

Mount the bracket to the mounting surface using suitable fasteners through the pre-drilled holes in the bracket's spine.

Step 3

Place the loudspeaker into the yoke bracket and re-insert the mounting bolts, taking care to make them snug, without over tightening. Use of thread locking compound is recommended.

3-POINT HANGING

This method allows the suspension of the loudspeaker from a truss or building structure using stranded safety cable or suitably rated chain securely attached to three points on the cabinet using the supplied brackets and hardware.

Step 1

Remove the bolt holding the mounting yoke to the top of the cabinet and install the suspension adapter as shown. Tighten the bolt taking care not to over tighten. Use of thread locking compound is recommended.

Step 2

Install the rear suspension point bracket to the back side of the yoke using the supplied nut and bolt. Note that the bracket can be installed in a variety of positions along the vertical axis of the yoke. This permits the cabinet to be tilted as needed for precise aiming.

SPEAKER STAND ADAPTER

A third mounting option permits the speaker to be installed onto a standard tripod speaker stand or third-party mounting bracket using the supplied stand adapter.

Step 1

Remove the mounting yoke from the loudspeaker by removing the bolts on the top and bottom of the enclosure.

Step 2

Insert the stand adapter into the bottom of the enclosure and secure with the bolt removed in step 1. Re-insert the bolt removed from the top of the enclosure.

Step 3

Place the loudspeaker onto the stand and tighten the positioning screw using the plastic handle. Hand tighten only.

CONNECTION & OPERATION

All models are fitted with NL4 style power input sockets for connection to power amplifiers. NL4 connections are recommended for all applications, whether permanent installation or portable application. In addition all models except for the Forum 8M and Forum 15M are fitted with barrier strips for direct termination of wiring. On models equipped with both NL4 and barrier strip connectors all connections are paralleled between the two connector types.

Multiple speakers may be wired in parallel providing that the resulting impedance is not below the minimum rated operating impedance of the power amplifier. Refer to the amplifier installation manual for further details. Note that all Forum speaker models are supplied in 8Ω configuration, except for the Forum 12Sub and Forum 15Sub, which are also available in 4Ω versions.

The following table shows the net impedance when several 8Ω speakers are combined in parallel.

# of 8Ω Speakers in Parallel	Combined Impedance
2	4 Ω
3	2.6 Ω
4	2 Ω

NOTE: Never connect more than two 4Ω speakers in parallel on one amplifier channel.

Always ensure that sound sources are set at the minimum level before powering up the amplifier or powered speakers, for the first time. Apply signal and increase the level slowly, verifying that the signal is reaching the speakers and that the sound is clear and free of distortion.

COMPLIANCE

This product is in compliance with CE directives and bears the CE mark. For detailed information on specific directives please contact your local QUAD Industrial sales office or distributor.

FORUM SPEAKER SPECIFICATIONS

Power Handling:	FORUM 8	FORUM 10	FORUM 12	FORUM 15
Continuous	100W	150W	200W	300W
Program	200W	300W	400W	600W
Peak	400W	600W	800W	1200W
Frequency Response: (-10dB)	60Hz–20kHz	55Hz–20kHz	60Hz–20kHz	60Hz–20kHz
Frequency Response: (+/-3dB)	90Hz–20kHz	90Hz–20kHz	90Hz–20kHz	70Hz–20kHz
Sensitivity (@2.83V):	90dB/1watt/1meter	92dB/1watt/1meter	94dB/1watt/1meter	95dB/1watt/1meter
Max SPL:	116dB	120dB	123dB	126dB
Coverage (H x V):	70° Conical	55° Conical	60° Conical	65° Conical
Directivity:	6.69	7.15	7.21	7.1
Impedance:	8Ω nominal	8Ω nominal	8Ω nominal	8Ω nominal
Regulatory Approvals: (9UL, CE)	CE	CE	CE	CE
Transducers:				
LF Driver Size	8" Coaxial	10" Coaxial	12" Coaxial	15" Coaxial
HF Driver Size	2" Compression Driver	2" Compression Driver	2" Compression Driver	2" Compression Driver
Crossover Frequency:	2.3kHz	2.2kHz	2.0kHz	2.1kHz
Enclosure Material:	MDF	MDF	MDF	MDF
Connector Type:	Speakon™/Terminal strip	Speakon™/Terminal strip	Speakon™/Terminal strip	Speakon™/Terminal strip
Dimensions: (H x W x D)	370 x 285 x 280mm 14.6" x 11.2" x 11"	430 x 322 x 320mm 17" x 12.7" x 12.6"	508 x 375 x 350mm 20" x 14.8" x 13.8"	558 x 449 x 430mm 22" x 17.7" x 17"
Net Weight:	11.2kg 24.6lbs.	15kg 33lbs.	17.6kg 38.7lbs.	23.5kg 52lbs.

* Features, details & specifications are subject to change without notice

FORUM SPECIFICATIONS

Power Handling:	FORUM 8M	FORUM 15M	FORUM 12SUB	FORUM 15SUB
Continuous	100W	450W	300W	450W
Program	200W	900W	600W	900W
Peak	400W	1800W	1200W	1800W
Frequency Response: (-10dB)	70Hz–20kHz	70Hz–20kHz	40Hz–300Hz	35Hz–350Hz
Frequency Response: (+/-3dB)	95Hz–20kHz	95Hz–20kHz	45Hz–200Hz	40Hz–200Hz
Sensitivity (@2.83V):	92dB/1watt/1meter	96dB/1watt/1meter	98dB/1W/1 meter	99dB/1W/1 meter
Max SPL:	118dB	128dB	128dB	131dB
Coverage (H x V):	50° Conical	60° Conical	N/A	N/A
Directivity:	6.97	7.55	N/A	N/A
Impedance:	8Ω nominal	8Ω nominal	4Ω nominal	4Ω nominal
Regulatory Approvals: (9UL, CE)	CE	CE	CE	CE
Transducers:				
LF Driver Size	8" Coaxial	15" Coaxial	12" Long Throw	15" Long Throw
HF Driver Size	2" Compression Driver	2" Compression Driver	N/A	N/A
Crossover Frequency:	2.3kHz	2.1kHz	250Hz LPF	250Hz LPF
Enclosure Material:	MDF	MDF	MDF	MDF
Connector Type:	Speakon™	Speakon™	Speakon™/Terminal strip	Speakon™/Terminal strip
Dimensions: (H x W x D)	370 x 285 x 287mm 14.6" x 11.2" x 11.3"	558mm x 449mm x 387mm 22" x 17.7" x 15.2"	240mm x 750mm x 595mm 9.4" x 29.5" x 23.4"	266mm x 850mm x 670mm 10.5" x 33.5" x 26.4"
Net Weight:	9.8kg 21.6lbs.	21kg 46.2lbs.	38.5kg 85lbs.	47.1kg 104lbs.

* Features, details & specifications are subject to change without notice

USA CONTACT:

ph +1.877.440.0888

ph +1.425.861.3909

fx +1.425.861.3906

UK CONTACT:

ph +44 (0) 845 4580011

ph +44 (0) 1480 447700

fx +44 (0) 1480 431767

OUTSIDE USA & UK:

ph +86 (0) 755 8209 6639

fx +86 (0) 755 8209 0203

WEB:

www.quadindustrial.com

FOR THE CLOSEST APPROACH TO THE ORIGINAL SOUND