



Product Technical Data Sheet

Model LSB8115 / LSB8115-I

Description

The LSB8115 is a single 15" low-bass/subwoofer line source array module. It is a high SPL compact unit allowing low frequency performance when ground stacking subwoofers are not a solution or when extra low-bass energy is desired from a LS8800 line array.

The box height is exactly double that of the LS8000. The rigging is also designed to match with the LS8800 line array module creating the ability to extend low frequency control for further throw distance and low frequency control.

The LSB8115 is also well suited as a ground stacked stand alone subwoofer when a smaller cabinet size is desired. Under stage low frequency performance is an application example well suited to the design.



Key Features

- High Powered single 15" small format construction
- Rigging compatibility with the LS8800
- Exactly double the height of the LS8800
- Tight and powerful at high SPL due to advanced transducer technology.
- All array rigging is included
- Splay options from 1 to 10 degrees between boxes
- ¾" 13 ply Baltic Birch cabinet

Product Specifications	
Operating Range ¹	36Hz - 200Hz
Sensitivity (1W/1M) ²	98dB
Vertical Coverage Angle	Defined by height and configuration of the array
Power Handling ³	500W (64 Volts) AES/2
Recommended Amp Power for Max Output	1000 Watts @ 8 ohms
Max SPL (calculated) 1 Meter	125dB Cont. / 131dB Peak
Nominal Impedance	8 Ohms
Crossover Frequency	DSP Settings Provided
Transducer	15" Woofer
Input	NL4 x2 (Pair 1 = LF) Barrier Strip on I versions
Dimensions	19.25" (49cm) H (front side) 15.75" (40cm) H (rear side) 28.25" (71.8cm) W 20" (51cm) D
Enclosure	13ply Baltic Birch
Weight	96lbs (43.5kg) Shipping 109lbs (49.4kg)
Rigging	All array rigging is included ³
Optional Accessories	RLA/2-BB - Rigging Frame RC-LSB8115 Road Case (holds 2 modules)
Finish Options	Black Latex White Latex (w/ white rigging) Paintable Natural Finish (w/ black rigging)

Applications

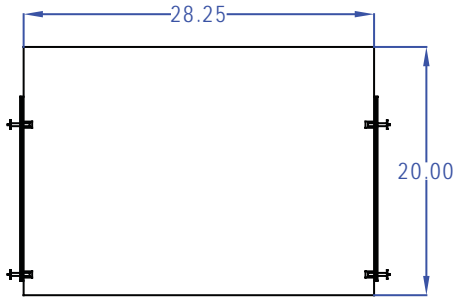
Developed for low frequency support of the LS8800 line array module as well as stand alone performance

- Line array Low-Frequency support of the LS8800
- Subwoofer for LS8800 flown or stacked
- Under stage subwoofer

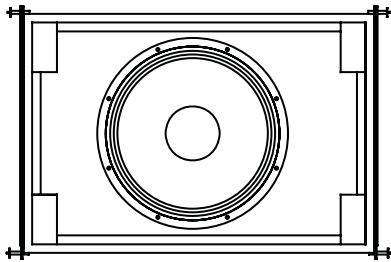
1. LF at -10dB
 2. Full bandwidth pink noise is applied and amplified to a level and measured at the loudspeaker terminals - corresponding to 1 Watt as referenced to the loudspeakers nominal impedance. SPL is measured in a half-space environment in the loudspeakers far field. Data is extrapolated to 1 Meters distance from the loudspeaker.
 3. AES established with ambient temperature at 22C in accordance with AES/2-1984 standard. IEC stated in RMS voltage according to IEC 268-5



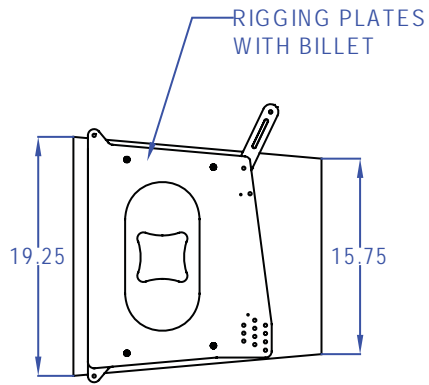
LSB8115 / LSB8115-I Drawings



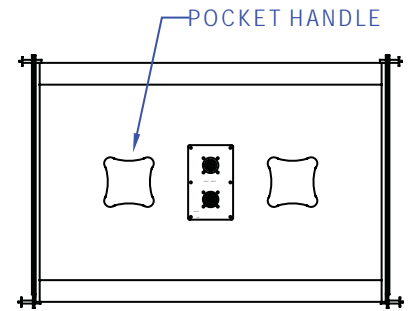
TOP



FRONT



SIDE



BACK